

Grease separators *EasyClean* free Standard NS 2 – 10

for free-standing installation

Tank

Manufactured from virgin, non-recycled polyethylene, for free standing installation in frost protected areas, with integrated sludge trap, sloped interior base improves cleaning and reduces disposal time, inlet flow calming system and outlet flow regulation device, inlet and outlet interchangeable, slanted twin access covers with quick release odour tight snap closures, integrated for lift grips at base of separator, 100% corrosion free polyethylene body construction (20 year warranty).

Disposal System

Standard version requires disposal truck with vacuum system for separator disposal.

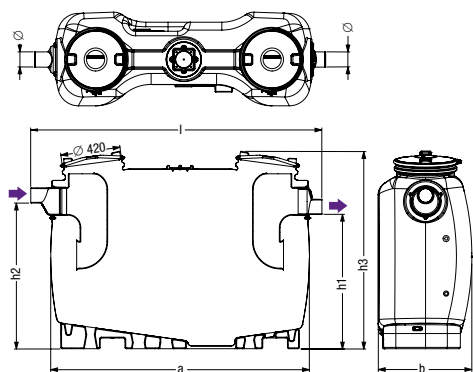
Delivery: System completely assembled.

- **Accessories:** Sampling chamber, inspection window, refill inlet, retrofitting up to Auto Mix & Pump possible page 331 – 334; lifting stations see chapter "3"
- **Technical note** page 330



without *SonicControl* with *SonicControl*

NS	Art. no.	Art. no.
Without accessories		
NS 2	93 002.01	93 002.02
NS 3	93 003.01	93 003.02
NS 4	93 004.01	93 004.02
NS 7	93 007.01	93 007.02
NS 10	93 010.01	93 010.02
With inspection window		
NS 2	93 002.21	93 002.22
NS 3	93 003.21	93 003.22
NS 4	93 004.21	93 004.22
NS 7	93 007.21	93 007.22
NS 10	93 010.21	93 010.22
With refill inlet		
NS 2	93 002.11	93 002.12
NS 3	93 003.11	93 003.12
NS 4	93 004.11	93 004.12
NS 7	93 007.11	93 007.12
NS 10	93 010.11	93 010.12
With inspection window and refill inlet		
NS 2	93 002.31	93 002.32
NS 3	93 003.31	93 003.32
NS 4	93 004.31	93 004.32
NS 7	93 007.31	93 007.32
NS 10	93 010.31	93 010.32



NS	Ø	a	Installation dimension l × b	b1	h1	h2	h3	Weight	Sludge trap	Water and sludge	Grease storage	Total (incl. water)
2	110	1500	1735 × 680	860	985	1055	1435	69 kg	200 l	400 l	100 l	600 l
3	110	1500	1735 × 680	860	985	1055	1435	74 kg	300 l	300 l	120 l	600 l
4	110	1880	2115 × 680	860	985	1055	1435	87 kg	400 l	400 l	160 l	800 l
7	160	1910	2145 × 940	1130	1185	1255	1655	135 kg	700 l	650 l	280 l	1350 l
10	160	2590	2820 × 940	1130	1185	1255	1655	181 kg	1000 l	900 l	400 l	1900 l

Ø = Outer diameter b1 = Set-up dimensions