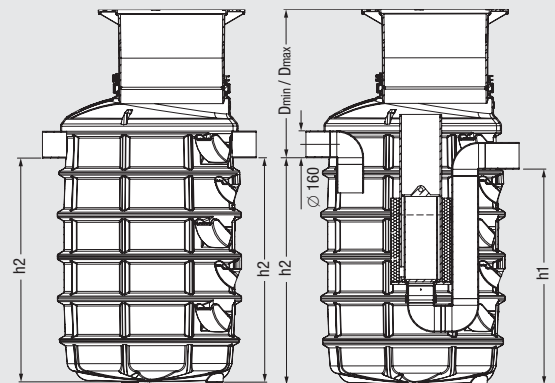
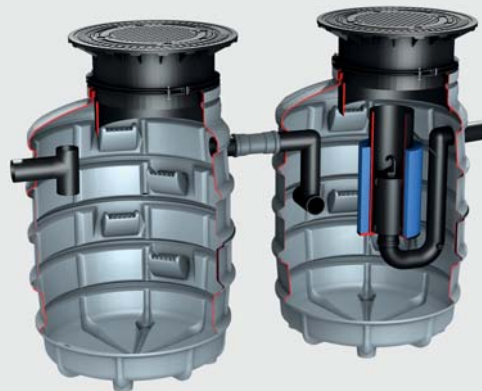
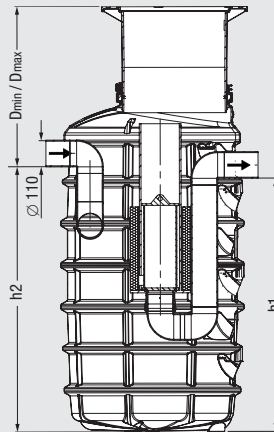
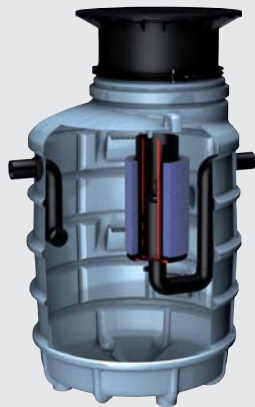


# Coalescence separator for underground installation

## Coalescence Separator

NS 3 - NS 6



### Coalescence separator class I Ø 1000

□ according to EN 858, made of polyethylene

### For underground installation, installation depth D from 565 to 1015 mm

With integrated sludge trap and self-actuated closure lock, calibrated for light liquid with densities between 0.85 to 0.95 g/cm<sup>3</sup>.

### With removable coalescence filter insert.

Completely water tight to top of cover, resistant against aggressive wastewaters. Vertically adjustable polymer upper section, tiltable to 5°, cast iron manhole cover according to EN 124, load class D, with removal key, certified structural test.

Inlet and outlet Ø ..... for synthetic material pipes in: PE-HD (according to EN 12666-1); PVC pipe (according to EN 1401-1); PP or AS.

Choose separator size and article number from table below. Contact KESSEL for separator sizing support if required.

1 Cover class A/B

2 Cover class D

NS	Sludge trap capacity	Article #
1 NS 6	200 liter	99 706.02B
NS 6	600 liter	99 706.06B
NS 3	800 liter	99 703.04B
NS 6 <sup>1)</sup>	1000 liter	99 706.10B
NS 3	1600 liter	99 703.10B
NS 6 <sup>1)</sup>	1800 liter	99 706.18B
2 NS 6	200 liter	99 706.02D
NS 6	600 liter	99 706.06D
NS 3	800 liter	99 703.04D
NS 6 <sup>1)</sup>	1000 liter	99 706.10D
NS 3	1600 liter	99 703.10D
NS 6 <sup>1)</sup>	1800 liter	99 706.18D

**Accessories:**  
see page 304 and 306

**Delivery:**  
Completely assembled.

**Not for installation in high groundwater areas!**

	NS	Ø*	Sludge disposal volume in liter	D		Weight in kg	h2 (Inlet bottom) in mm	h1 (Outlet bottom) in mm	Oil storage capacity in liter	Article #
				min	max					
1	NS 6	160	100	560	1090	175	1090	1020	200	99 706.02B
	NS 6	160	300	560	1090	175	1590	1520	200	99 706.06B
	NS 3	110	400	545	995	175	1105	1055	200	99 703.04B
	NS 6 <sup>1)</sup>	160	500	560	1090	305	1090	1020	200	99 706.10B
	NS 3	110	800	545	995	190	1605	1555	200	99 703.10B
	NS 6 <sup>1)</sup>	160	800	560	1090	320	1590	1520	200	99 706.18B
2	NS 6	160	100	560	1090	205	1090	1020	200	99 706.02D
	NS 6	160	300	560	1090	220	1590	1520	200	99 706.06D
	NS 3	110	400	545	995	205	1105	1055	200	99 703.04D
	NS 6 <sup>1)</sup>	160	500	560	1090	338	1090	1020	200	99 706.10D
	NS 3	110	800	545	995	220	1605	1555	200	99 703.10D
	NS 6 <sup>1)</sup>	160	900	560	1090	353	1590	1520	200	99 706.18D

<sup>1)</sup> = Twin-chamber system \* Ø = Inlet and outlet outer diameter (mm)