

## Grease separator *EasyClean* free Auto Mix & Pump NS 2 – 10

for free-standing installation



### Tank

Manufactured from virgin, non-recycled polyethylene, for free standing installation in frost protected areas, with integrated sludge trap, sloped interior base improves cleaning and reduces disposal time, inlet flow calming system and outlet flow regulation device, inlet and outlet interchangeable, slanted twin access covers with quick release odour tight snap closures, inspection window with interior cleaning arm, 75 mm OD PN 10 pressure disposal pipe, with integrated fork lift grips at base of separator, low weight - compact design, 100 % corrosion free polyethylene body construction (20 year warranty).

### Disposal System

Auto Mix & Pump version fully automated odour free disposal, cleaning and refilling system at touch of button, maintenance free macerating pump (stainless steel blades) for separator cleaning and disposal, includes closure valve for easy pump removal, pump floor mount included with installation hardware and anti-vibration matt, actuator valve for automated transfer from cleaning to disposal mode, pumping capacity 3.0 kW, 5 m cable length, top mounted water jet(s) for grease layer breakup and water spray nozzles for interior wall cleaning during disposal, twin 1 inch solenoid valves for connection of cold and hot water pipes to separator, 1 inch interior threaded refill inlet with air gap.

**Control Unit** with LCD display control settable in English, German, French, Italian, Dutch or Polish language and mains power safety on/off switch, with BMS connections.

**Delivery:** System completely assembled.

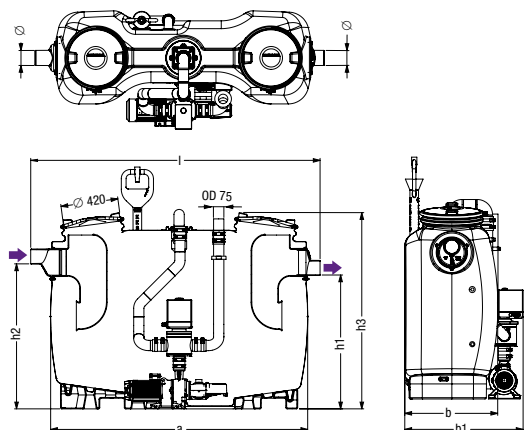
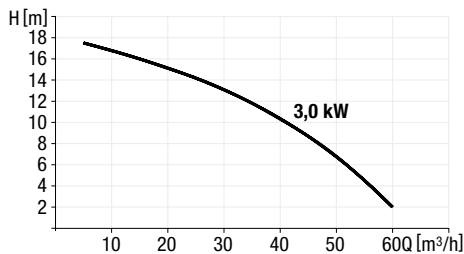
- **Accessories:** Sampling chamber, remote control, *TeleControl* page 331 – 334; lifting stations see chapter "3"
- **Technical note** page 330



**without SonicControl    with SonicControl**

NS	Art. no.	Art. no.
NS 2	93 002.01/PVS	93 002.02/PVS
NS 3	93 003.01/PVS	93 003.02/PVS
NS 4	93 004.01/PVS	93 004.02/PVS
NS 7	93 007.01/PVS	93 007.02/PVS
NS 10	93 010.01/PVS	93 010.02/PVS

### Pumping capacity



NS	Ø	a	Installation dimension l × b	b1	h1	h2	h3	Weight	Sludge trap	Water and sludge	Grease storage	Total (incl. water)
2	110	1500	1735 × 680	860	985	1055	1435	160 kg	200 l	400 l	100 l	600 l
3	110	1500	1735 × 680	860	985	1055	1435	165 kg	300 l	300 l	120 l	600 l
4	110	1880	2115 × 680	860	985	1055	1435	178 kg	400 l	400 l	160 l	800 l
7	160	1910	2145 × 940	1130	1185	1255	1655	226 kg	700 l	650 l	280 l	1350 l
10	160	2590	2820 × 940	1130	1185	1255	1655	272 kg	1000 l	900 l	400 l	1900 l